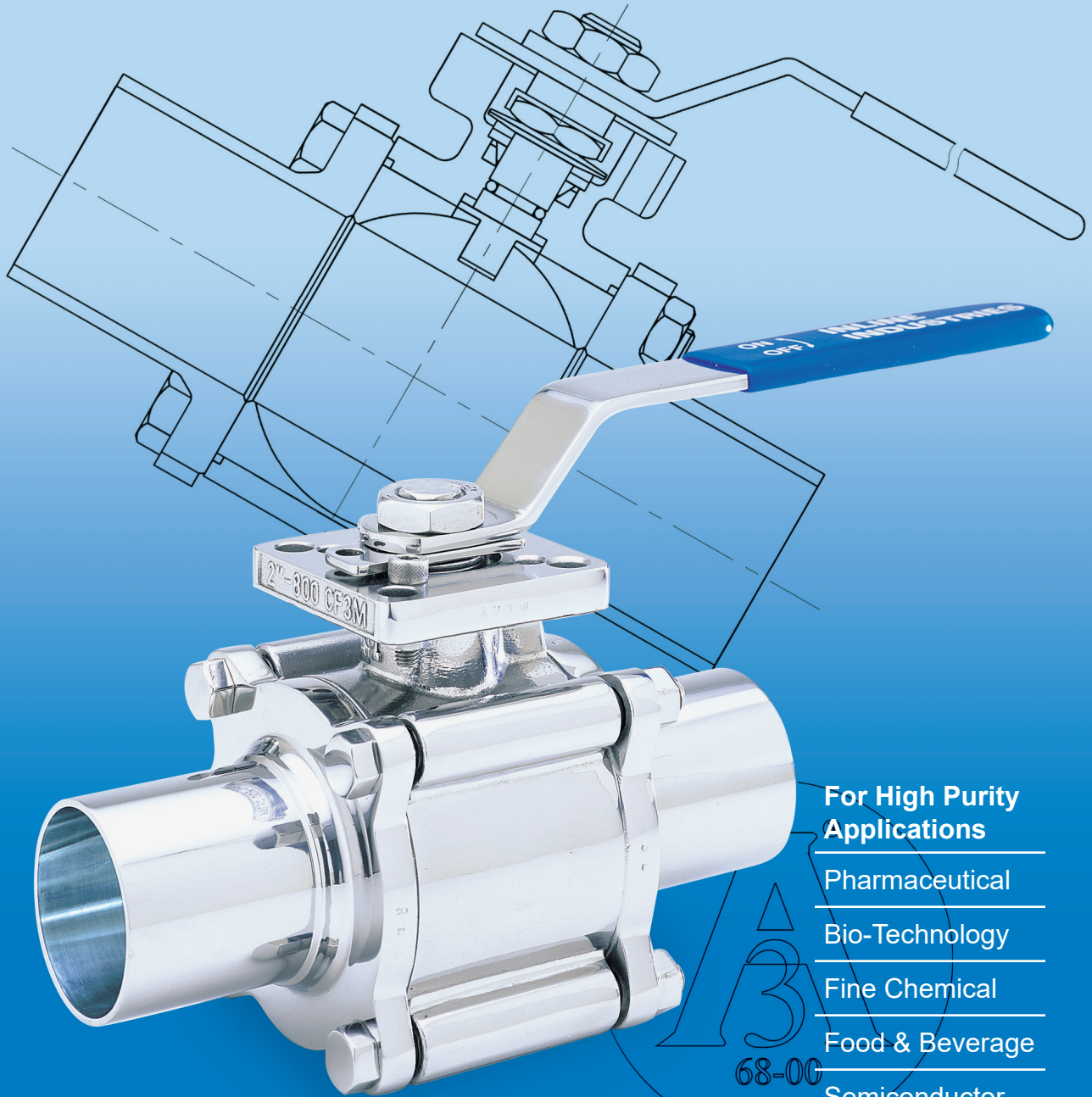


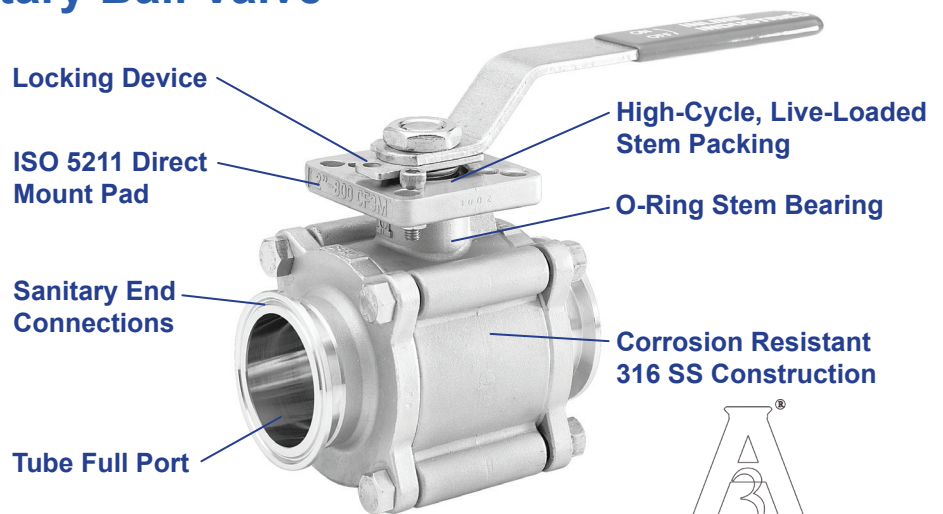
337F Sanitary Ball Valve

3-Piece Tube Full Port
ISO 5211 Direct Mount Pad



The 337F Series Sanitary Ball Valve

The 337F series sanitary valve incorporates several innovative design features for improved process performance. The valve's uniform bore diameter improves flow characteristics and eliminates pooling of potential contaminants. Polishing all 316L stainless steel internal surfaces reduces surface porosity and improves finish. The ISO 5211 mount pad allows for direct mounting of most actuators.

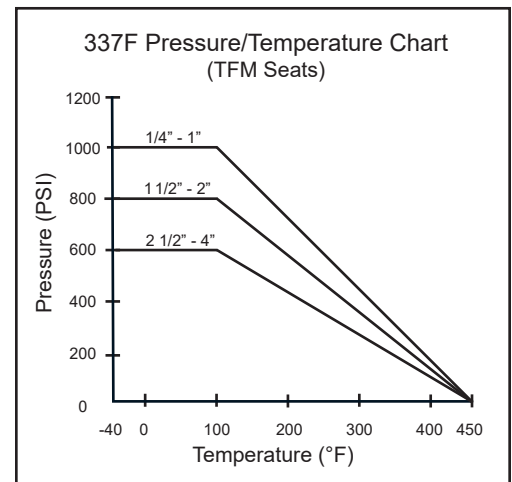


Standard Features and Benefits

- **Tube Full Port Design**
True tube full port construction eliminates pooling of process media and improves flow characteristics for greater efficiency
- **Made of Corrosion-Resistant 316L SS (A351 Gr. CF3M)**
One valve can be used for many service conditions
- **Dual Pattern ISO 5211 Direct Mount Pad**
No bracket or drive coupling needed for automation
Eliminates exposed moving parts for safer work environment
Direct drive eliminates play and improves actuator positioning
Dual pattern pad fits a wide range of actuator sizes
- **High-Cycle, Live-Loaded Stem Packing**
Ensures tight stem seal extending service life
- **O-ring Stem Bearing**
Maintains stem alignment, reduces packing side-loading and wear, enhances stem seal
- **Blow-Out-Proof Stem**
Bottom loaded stem prevents removal when valve is in service
- **3-Piece Swing-in-Place Construction**
Easy to repair in service line
- **Locking Device**
Enables plant personnel to secure valve in open or closed position when manually operated
- **BPE Compliant Extended Tube Ends**
- **Investment Cast**
Improves dimensional control and reduces porosity
- **25 Ra Internal Surface Finish**

Options

- **Clamp, Tube Butt Weld, Ext. Tube Butt Weld, Compression, Flange, NPT, I-Line, Tank Bottom Ends Available**
- **Polish and Electropolish to Customer's Specification**
- **Cavity Filled Seats**
- **Full 3A Compliance: 3A 68-00 Cavity Filled Construction, Marking and Documentation**
- **CIP Ports**
- **Material Test Reports Available Upon Request**

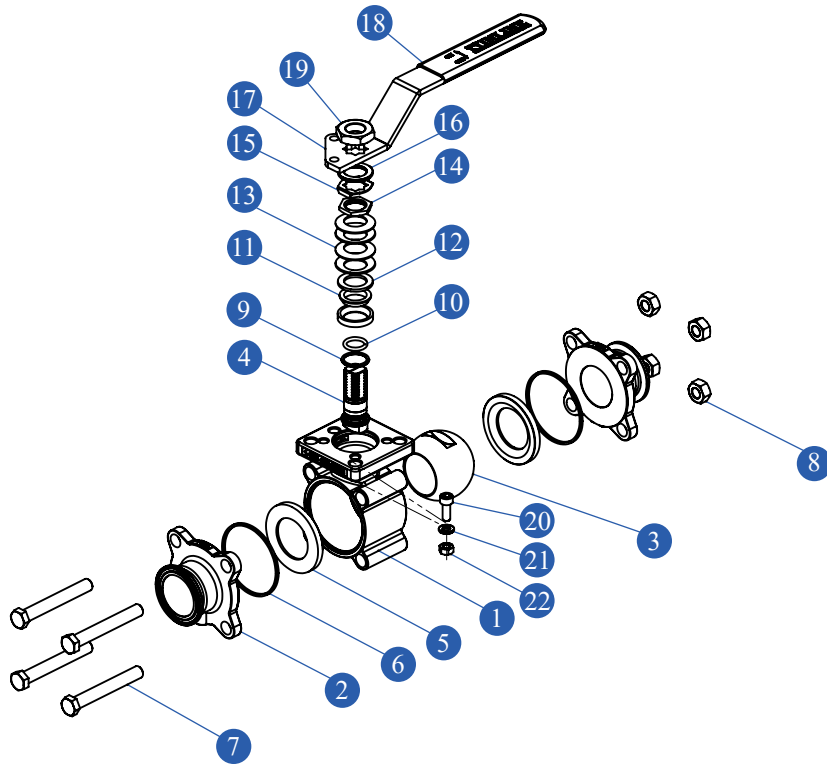


Operating Conditions

- **Temperature Range (TFM):**
-40°F ~ 450°F
- **Maximum Pressure (TFM):**
1000 PSI (1/4" - 1")
800 PSI (1 1/2" - 2")
600 PSI (2 1/2" - 4")

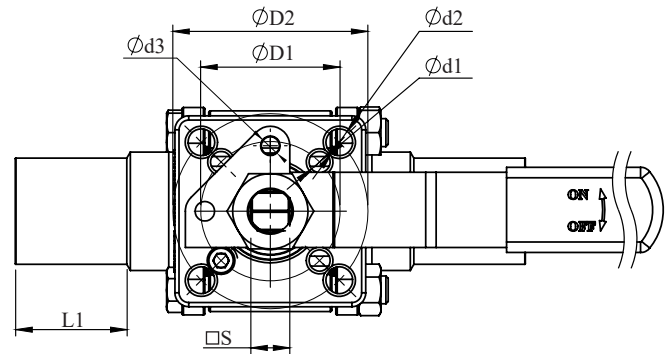
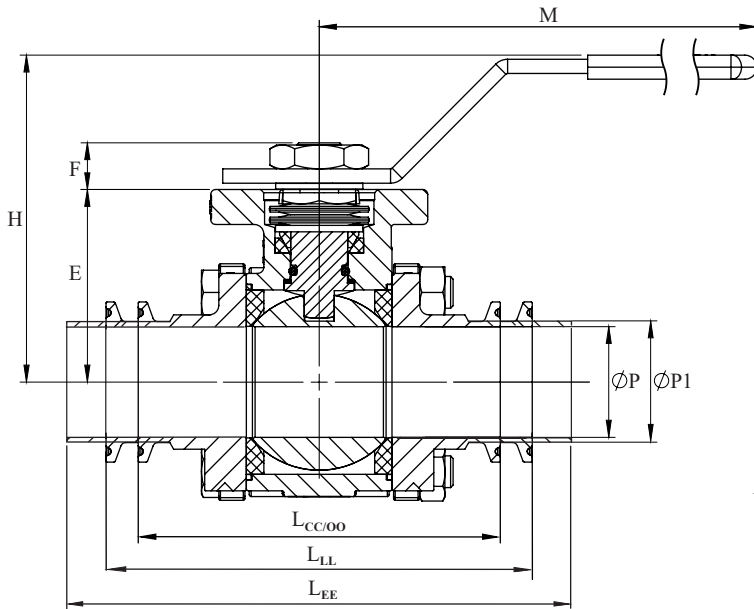
Specifications

- Valves inspected and tested to API 598 and meet ANSI/FCI70-2 Class VI and MSS SP-61 seat leakage requirements
- All materials comply with applicable ASTM material specifications, FDA, USDA and ASME BPE material requirements
- All soft wetted parts comply with FDA CFR Title 21 Part 177



Valve Components			
No.	Part Name	Material	Qty
1	Body	CF3M	1
2	End Cap	CF3M	2
3	Ball	316L SS	1
4	Stem	316L SS	1
5	Seat	TFM	2
6	Body Seal	TFM	2
7	Body Bolt	304 SS	4*
8	Body Nut	304 SS	4*
9	Thrust Washer	PEEK	1
10	Stem O-Ring	VITON 75	1
11	Stem Packing Set	TFM	1
12	Packing Gland	304 SS	1
13	Belleville Washer	301 SS	4
14	Gland Nut	304 SS	1
15	Gland Nut Lock Washer	304 SS	1
16	Stem Spacer	304 SS	1
17	Handle	304 SS	1
18	Handle Cover	Vinyl	1
19	Handle Nut	304 SS	1
20	Stop Pin	304 SS	1
21	Split Lock Washer	304 SS	1
22	Stop Pin Nut	304 SS	1

*6 Bolts and Nuts on 4" Valve



Dimensions (Inches)																					
Size	L _{CCOO}	L _{EE}	L _{LL}	L1	P	P1	M	H	E	F	D1	D2	d1	d2	d3	S	ISO 5211*	Torque ¹ (in-lbs)	C _v **	Weight** (lbs)	
1/4"	—	4.90	—	1.57	0.18	0.25	5.4	2.8	1.54	0.35	1.42	1.65	0.22	0.22	0.31	0.35	F03/F04	54	1.5	1.5	
3/8"	—	4.90	—	1.57	0.31	0.38	5.4	2.8	1.54	0.35	1.42	1.65	0.22	0.22	0.31	0.35	F03/F04	54	1.5	1.5	
1/2"	3.50	4.90	—	1.57	0.37	0.50	5.4	2.8	1.54	0.35	1.42	1.65	0.22	0.22	0.31	0.35	F03/F04	54	1.6	1.6	
3/4"	3.50	5.61	4.00	1.57	0.62	0.75	5.4	2.8	1.54	0.35	1.42	1.65	0.22	0.22	0.31	0.35	F03/F04	72	1.7	1.7	
1"	3.50	6.40	4.50	1.57	0.87	1.00	6.4	3.1	1.88	0.41	1.65	1.97	0.22	0.26	0.31	0.43	F04/F05	108	3.0	3.0	
1 1/2"	4.50	7.20	5.50	1.57	1.37	1.50	8.0	4.1	2.39	0.58	1.97	2.76	0.26	0.35	0.31	0.55	F05/F07	282	5.8	5.8	
2"	5.00	7.60	6.25	1.80	1.87	2.00	8.0	4.4	2.74	0.57	1.97	2.76	0.26	0.38	0.31	0.55	F05/F07	360	8.9	8.9	
2 1/2"	6.75	10.00	—	1.80	2.37	2.50	11.8	5.2	3.52	0.74	2.76	4.02	0.35	0.43	0.39	0.67	F07/F10	660	18.8	18.8	
3"	7.76	11.00	—	1.80	2.87	3.00	11.8	5.6	3.89	0.72	2.76	4.02	0.35	0.43	0.39	0.67	F07/F10	716	29.4	29.4	
4"	9.52	12.00	—	2.01	3.83	4.00	13.6	7.3	5.16	0.94	4.02	4.92	0.43	0.53	0.39	0.87	F10/F12	938	50.7	53.1	

*Direct mount may require stem adapter bushings

¹Torques are based on 100 psi clean water at ambient temperature

C_v value represents flow data to ISA 75.01.01 - 2007

**C_v value & weights are based on extended BW ends



Automation Systems



Sanitary Products



Oxygen Cleaning & Electropolishing

337F Ordering Information

Example: 2" Full Port Direct Mount Sanitary Ball Valve, 316L SS Body and Trim, TFM Seats and Seals, 316L SS Clamp Ends, 25 Ra Max Mechanical Polish (ID)

Valve Series	Valve Size	Body Material	End Material	Ball Material	Stem Material	Seat	Seal	End Connection	Port	Ball Config.	Surface Finish
337F - Full Port 337C - Compression	2* 1/4" 3* 3/8" 5 1/2" 7 3/4" A 1" C 1 1/2" D 2" E 2 1/2" F 3" G 4"	3 - A351 Gr. CF3M (316L)	3 - A351 Gr. CF3M (316L) 6 - A351 Gr. CF8M (316)	3 - 316L SS	3 - 316L SS	M - TFM T - PTFE J - Cavity Filled TFM K - Cavity Filled PTFE N - 1-Piece TFM Seat/Body Seal	M - TFM T - PTFE N - 1-Piece TFM Seat/Body Seal	C - Clamp O - Tube O.D. Butt Weld E - Ext. Tube O.D. Butt Weld K - Tank Bottom R - I-Line L - Long Clamp T - NPT (316) P - Compression (316) A - ANSI 150# (316)	2 - 2 Way	S - Straight Port	None - 25 Ra Max Mech. Polish SFV1 - 20 Ra Max Mech. Polish SFV4 - 15 Ra Max Electropolish SFV5 - 20 Ra Max Electropolish SFV6 - 25 Ra Max Electropolish

*Available in tube butt weld, extended tube weld and compression ends only

Due to continuous product development, information may change without notice.



INLINE INDUSTRIES, INC.

9056 Garvey Avenue
Rosemead, CA 91770

Tel: (800) 568-8998
(626) 813-6188

Fax: (626) 813-6186

www.ballvalve.com
info@ballvalve.com

Distributed by: